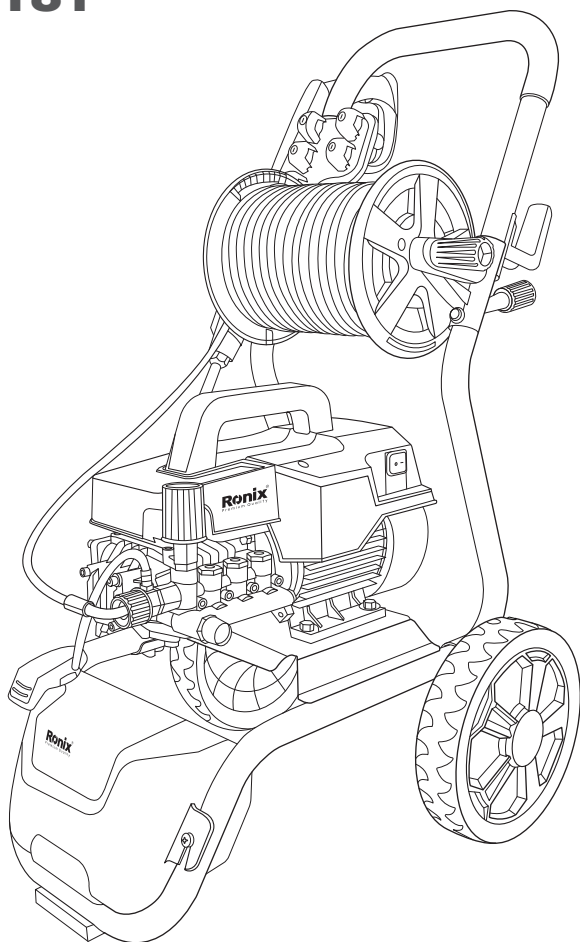


Ronix[®]

Premium Quality

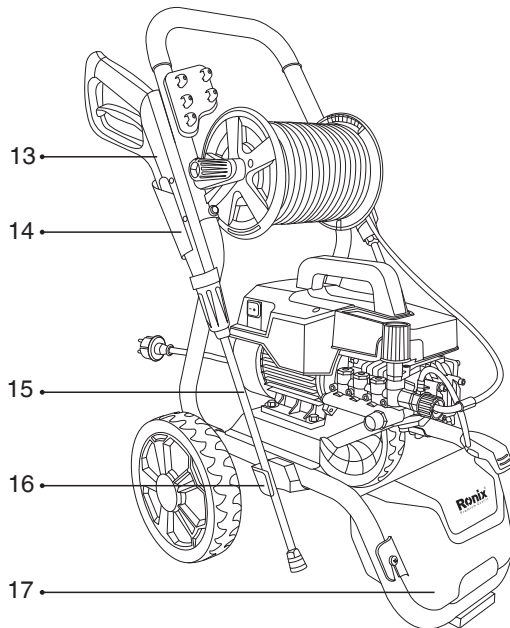
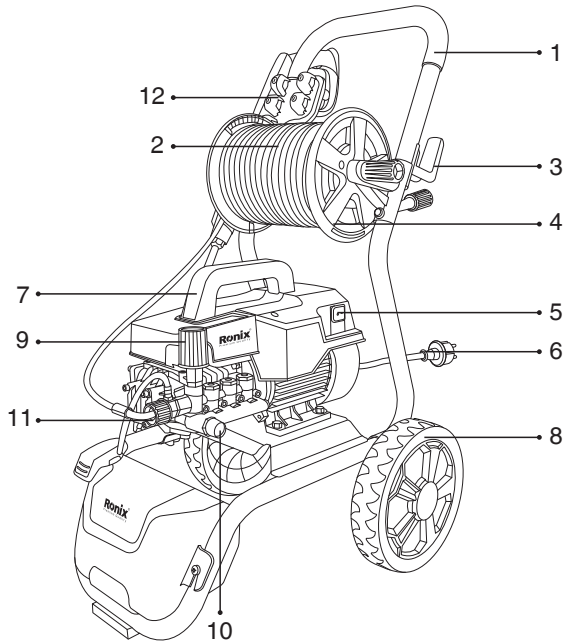
INDUCTION HIGH PRESSURE WASHER RP-0181



TECHNICAL SPECIFICATION

Model	RP-0181
Motor Type	1811
Max Pressure	180bar
Frequency	50Hz
Dimension	600×480×900mm
Motor Power	2400W
Rated Pressure	120Bar
Working Flow	6.0L/min
Voltage	220V
Motor Winding Material	Copper
Max. Flow	7.4L /min
Net Weight	28.8Kg
Gross Weight	34Kg
Includes	10m steel armed hose YLG06 gun, nozzles 3M inlet hose

PART LIST



- 1- Handle
- 2- High pressure hose
- 3- Power cord holder
- 4- High-pressure hose hook
- 5- Switch
- 6- Power cord
- 7- Handle
- 8- Wheel
- 9- Adjustable Pressure valve
- 10- Water inlet
- 11- Water outlet
- 12- Nozzles
- 13- Trigger gun
- 14- Trigger gun hook
- 15- Spray wand
- 16- Nozzles protector
- 17- Detergent tank

SAFETY INSTRUCTIONS

Please read and comply with these original instructions prior to the initial operation of your appliance and store them for later use or subsequent owners. Apart from the notes contained herein the general safety provisions and rules for the prevention of accidents by the legislator must be observed. Warnings and notes that are attached to the appliance provide important notes for safe operation.

HAZARD LEVELS

DANGER!

Pointer to immediate danger, if not avoided, which leads to severe injuries or death.

 **WARNING!**

Pointer to a possibly dangerous situation, if not avoided, which can lead to severe injuries or death.

 **CAUTION!**

Pointer to a possibly dangerous situation, if not avoided, which can lead to minor injuries.

 **ATTENTION!**

Pointer to a possibly dangerous situation, which can lead to property damage.

ELECTRIC COMPONENTS

 **DANGER!**

■ RISK OF ELECTRIC SHOCK

Never touch the mains plug and the socket with wet hands.

Check the power cord with the mains plug for damage prior to every use. Do not use the machine if a supply cord or important parts of the machine are damaged, e.g. safety devices, high-pressure hoses, trigger gun. All current conducting parts in the working area must be protected against jet water. The mains plug and the coupling of an extension cable must be watertight and must never lie in water. Moreover, the coupling may never lie on the ground. The use of cable reels that ensure that the sockets are at least 60mm above the ground is commended.

Make sure that the power cord or extension cable is not damaged by running over, pinching, dragging, or the like. Protect the power cords from heat, oil, and sharp edges. Always switch off the mains disconnecting switch when leaving the appliance unattended.

 WARNING!

The appliance may only be connected to an alternate current. The voltage must correspond with the type plate of the appliance.

For safety reasons, we recommend that you operate the appliance only via a residual current device (max. 30mA).

An unsuitable electrical extension cable can be hazardous. Only use an electrical extension cable which has been approved and labeled for this purpose and has an adequate cable cross section outdoors:
1-10 m: 1.5 mm²; 10-30 m: 2.5 mm²

Always fully unreel the extension cable from the cable drum.

SAFE HANDLING** DANGER!**

The user must be the appliance as intended. The person must consider the local conditions and must pay attention to other persons in the vicinity when working with the appliance. Check important components, such as high-pressure hose, hand spray gun and safety installations, for damage prior to every operation. Immediately replace damaged components. Do not operate appliance with damaged components.

The appliance has been designed for use with the cleaning agent supplied or recommended by the manufacturer. The use of the other cleaning agents or chemicals may adversely affect the safety of the appliance. High-pressure jets can be dangerous if subject to misuse. The jet must not be directed at persons, live electrical equipment or the machine itself. Do not direct the jet against yourself or others in order to clean clothes or footwear. Do not use the appliance within range of persons unless they wear protective clothing. Wear appropriate Personnel Protection Equipment (PPE) while operating the appliance.

⚠ WARNING!

The appliance must not be operated by children or untrained personnel. This appliance is not intended for use by persons (including children) with reduced physical, sensory or mental capacities, or lacking experience and knowledge.

Children must not play with this appliance.

Supervise children to prevent them from playing with the appliance.

Create stability for the appliance prior to any work on or with the appliance to prevent accidents and damage.

The water jet that is emitted from the high-pressure nozzle results in a repulsion power acting on the hand spray gun. Make sure that you have a firm footing and are also holding the hand spray gun and spray lance firmly. Never leave the appliance unattended as long as it is in operation.

⚠ ATTENTION!

In case of extended breaks, switch the appliance off at the main switch or pull the mains plug.

Do not operate the appliance at temperatures below 0°C.

OTHER RISKS

⚠ DANGER!

The appliance may not operate in explosive atmospheres.

Risk of explosion Do not spray flammable liquids. Never draw in fluids containing solvents or undiluted acids and solvents! This includes petrol, paint thinner, and heating oil. The spray mist is highly inflammable, explosive, and poisonous. Do not use acetone, undiluted acids, and solvents, as they corrode the materials used on the appliance.

Never use the product with inflammable or toxic liquids, or liquids with characteristics incompatible with its proper operation. Keep packaging films away from children, there is a risk of suffocation!

! WARNING!

According to applicable regulations, the appliance must never be used on the drinking water net without a system separator. Ensure that the connection of your building water installation on which the high-pressure cleaner is operated is equipped with a system separator pursuant Water that has flown through backflow preventers is considered to be non potable.

High-pressure hoses, fittings, and couplings are important for the safety of the appliance. Only use high-pressure hoses, fittings, and couplings recommended by the manufacturer.

To ensure applicable safety, use only original spare parts from the manufacturer or approved by the manufacturer. Switch the product off and disconnect it from the power supply removing the power plug from the socket outlet before assembly, cleaning, adjustments, maintenance, storage and transportation or converting the product to another function.

! CAUTION!

Mind the weight of the appliance when selecting the storage location and during transport to prevent accidents or injuries.

Several hours of continuous use of the appliance can lead to numbness in the hands of rare cases.

- Wear gloves.
- Keep hands warm.
- Take breaks at regular intervals.

! WARNING!

The improper use, of detergents can cause severe injuries or oxidation. Store cleaning agent away from the reach of children.

Discharge residual pressure before disconnecting the hose from the product.

Check before each use , and at regular intervals, that all metal fasteners are tight and the product's components are in good condition; Inspect for broken or worn parts.

RESIDUAL RISKS

Even if you are operating this product under all the safety requirements, potential risks of injury, and damage remain. The following dangers can arise in connection with the structure and design of this product:

Health defects resulting from vibration emission if the product is being used over long periods or not adequately managed and properly maintained.

The danger of injury and property damage caused by flying objects.

Injuries and damage to property due to broken accessories or the sudden impact of hidden objects during use.

SAFETY DEVICES

■ POWER SWITCH

The appliance switch prevents unintentional operation of the appliance.

■ LOCK TRIGGER GUN

This lock locks the lever of the trigger gun and prevents the inadvertent start of the appliance. Water that has flowed through backflow preventers is considered to be non-potable.

■ PRESSURE SWITCH

If the lever on the trigger gun is released the pressure switch turns off the pump, and the high-pressure jet is stopped. If the lever is pulled the pump is turned on again.

■ MOTOR PROTECTION SWITCH

The motor protection switches off the device if the power consumption is high.

PERSONAL PROTECTIVE EQUIPMENT

CAUTION!

Wear protective clothing and safety goggles to protect against

splash back containing water or dirt. During the use of high-pressure cleaners' aerosols can develop. Inhaling aerosols can cause health damage. The use of such shielding is not possible with all applications.

SYMBOLS ON THE MACHINE



The high-pressure jet must not be directed at persons, animals, live electrical equipment, or at the appliance itself.



The appliance must not be directly connected to the public drinking water network.



The sound power level is 92dB(A).

PROPER USE

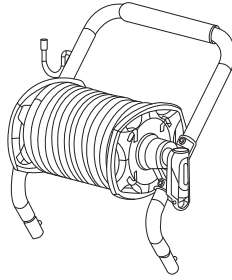
Use this pressure washer for private households only.

This high-pressure cleaner is designated with a rated input current. The intended use of this product covers the cleaning of vehicles, buildings, terraces, facades, and garden equipment using clean water and biodegradable chemical detergents. Likewise, the product can be used to clean paving slabs or rain gutters. This product may not be used to clean clothing, shoes, and other textiles. The water jet should not be directed against persons. Animals, any electrical equipment or on the product itself. Do not flush any objects which contain health hazardous materials. The product must not be run with inflammable, explosive and toxic liquids. For safety reasons, it is essential to read the entire instruction manual before the first operation and to observe all the instructions there.

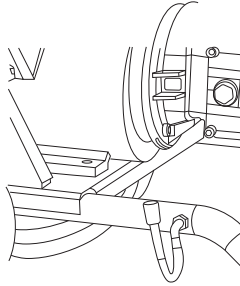
ASSEMBLY

Mount loose parts delivered with the appliance prior to startup

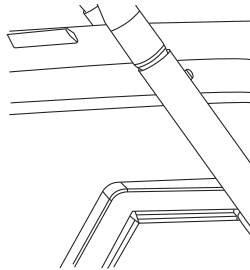
1- Install the trigger and high-pressure hose hook.



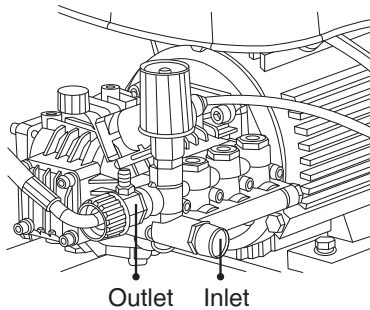
2- Install gun hook.



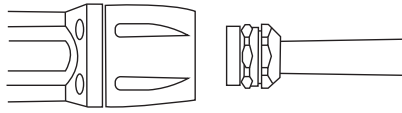
3- Install handle.



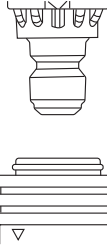
4- Connect the inlet water and outlet water hose



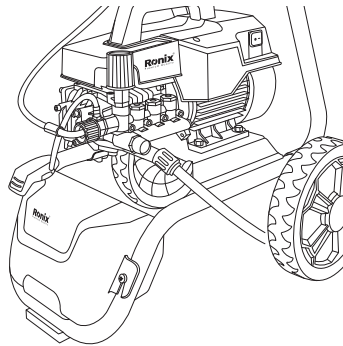
5- Connect the gun and spray wand.



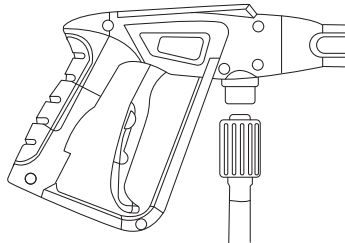
6- Install nozzle.



7- Connect the garden hose to the water inlet.

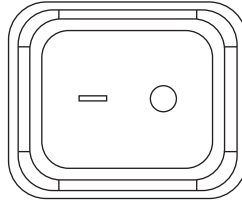


8- Connect the high pressure hose to the trigger gun.



9- Plug power supply.

10- Turn on the switch “OFF/ON.”



■ STARTUP

Park the appliance on an even surface.

Insert the mains plug into the socket.

WATER SUPPLY

ATTENTION!

Impurities in the water can damage the high-pressure pump and the accessories.

- Water supply from mains.
- Drawing in water from the open reservoirs.
- This high-pressure cleaner is suited to work with the suction hose with a back-flow valve to draw in surface water, e.g. from water butts or ponds.

Fill the suction hose with water.

- Screw the suction hose into the water connection of the appliance and insert it into the water source (e.g. rainwater drum).
- Bleed the device as follows prior to operation:
 - Turn on the appliance “OFF/ON” switch.
 - Unlock the lever of the trigger gun.
 - Push the lever of the trigger gun, The device will switch on.
 - Let the device run (max. 2 minutes) until the water exits the trigger gun without bubbles.

- Release the lever of the trigger gun.
- Lock the lever of the trigger gun.

OPERATION

⚠ ATTENTION!

Dry running of more than 2minutes leads to damage to the high-pressure pump. If the appliance does not build up pressure within 2 minutes, switch the appliance off and proceed in accordance with the instructions in Chapter “Troubleshooting”.

HIGH-PRESSURE OPERATION.

⚠ CAUTION!

Keep a distance of at least 30cm when using the jet for cleaning painted surfaces to avoid damage.

⚠ CAUTION!

Make sure the on/off switch is set to the “OFF/ON” position and insert the plug into a properly installed socket.

⚠ ATTENTION!

- The washer must be used on a secure and stable surface in a standing, upright position.



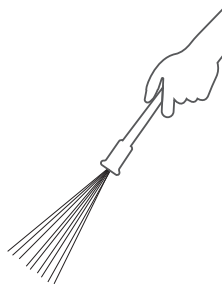
Connect the product to power and the power supply as described.

- Open the water supply
- Hold the spray gun with both hands.
- Direct the nozzle of the chosen accessory away from you towards the surface to be cleaned.

- Unlock the trigger and press it until a constant amount of water flows through the nozzle, to allow air trapped in the hose to escape.
- Release the trigger.
- Turn on the switch "OFF/ON".
- Hold the spray gun with both hands. Direct the water jet to the object to be cleaned and press the trigger. Release the lever of the trigger gun; the device will switch off again and stop the water jet. High pressure remains in the system.

⚠ WARNING!

Beware of kickback when pressing the trigger!



OPERATION WITH DETERGENT

Detergent can only be added when the device is operated in low pressure mode.

⚠ DANGER!

When using detergents, the material data safety sheet issued by the detergent manufacturer must be adhered to, especially the instructions regarding personal protective equipment.

Remove the cap of the clean detergent bottle. Gently pull the onboard detergent tank out of its storage position.

Fill the tank with a detergent designed specifically for use with pressure washers. Push the detergent bottle with the opening pointing

downwards into the connection for the hose clean detergent.

■ **RECOMMENDED CLEANING METHOD**

- Spray the detergent sparingly on the dry surface and allow it to react, but not to dry.
- Spray off loosened dirt with the high-pressure met.

■ **AFTER OPERATION WITH DETERGENT**

- Remove the hose clean the detergent bottle from the intake and close it with the lid.
- For storage, put the detergent bottle into the retainer with the cap pointing up.

■ **INTERRUPTING OPERATION**

- Release the lever of the trigger gun.
- Lock the lever of the trigger gun.
- Put the trigger gun with the spray lance into the parking position.
- During longer breaks (more than 5 minutes), also turn the appliance off using the “OFF/ON” switch.

■ **FINISH OPERATION**

- Release the lever of the trigger gun.
- Turn off the appliance “ OFF/ON”.
- Disconnect the mains plug from the socket.

Only separate the high-pressure hose from the trigger gun or the device when there is no pressure in the system.

■ **TURN OFF TAP**

- Pressure the lever of the trigger gun to release any remaining pressure in the system.
- Release the lever of the trigger gun.
- Lock the lever of the trigger gun.

⚠ ATTENTION!

- When disconnecting the supply or high-pressure hose, warm water may leak from the connection after the operation.
- Detach the appliance from the water supply.

TRANSPORTATION

⚠ CAUTION!

- Risk of personal injury or damage!
- Mind the weight of the appliance during transport.

■ WHEN TRANSPORTING BY HAND

- Switch the product off and disconnect it from the water and power supply.
- Pull out the transport handle until it audibly snaps into place. Attach transportation guards, if applicable.
- Pull the appliance by its transport handle.

■ WHEN TRANSPORTING IN VEHICLES

- Prior to horizontal transport: close the cap of the clean detergent bottle.
- Tilt the product towards you until it balances on the wheels. Then move it by its transportation handle.
- Protect the product from any heavy impact or strong vibrations which may occur during transportation in vehicles.
- Secure the appliance against shifting and tipping over.

STORAGE

- Park the machine on an even surface.
- Detach the spray lance from the trigger gun.
- Push the disconnect button on the trigger gun and pull the high-pressure hose out of the trigger gun.
- Place the trigger gun into the storage for the trigger gun.
- Put both spray lances into the storage for the spray lance.

- Dirt grinder spray lance: Nozzle towards the bottom.
- Coil the high-pressure hose and hang it over the hose storage.
- Store the mains connection in the accessory compartment.
- Prior to extended storage periods, as during the winter, also observe the instructions in the care section.
- Always store the pressure cleaner, parts, and accessories in a place that is inaccessible to children. The ideal storage temperature is between 10 °C and 30 °C. Store the power washer indoors to prevent the water in the unit from expanding under freezing conditions.

FROST PROTECTION

ATTENTION!

Appliances and accessories that are not completely drained can be destroyed by frost. Completely drain Appliances and accessories and protect them against frost. To avoid damage:

- Detach the appliance from the water supply.
- Detach the spray lance from the trigger gun.
- Turn on the appliance “ON/OFF”.
- Push the lever of the trigger gun until no more water is escaping.
- Release the lever of the trigger gun.
- Lock the lever of the trigger gun.
- Turn off the appliance “ON/OFF”.
- Store the appliance and the entire accessories in a frost-free room.

CARE AND MAINTENANCE

■ CHANGE OIL IN THE PUMP

Lubricant oil should be changed in the first 50 hours of operation, and then oil change should be taken in every 100 hours.

- Loose oil drainage plug.
- Tilt the opposite side of oil drainage higher, making the oil drainage facing the oil drain pan straightly.

- Remove the oil drain plug, and drain the waste oil.
- After draining the oil completely, put the oil drainage plug back.
- Tighten the oil drain plug and fill in new oil (SAE 5W-40) till the oil level indicator window is half.
- covered by the new oil.
- Put back the oil cap and tighten it.

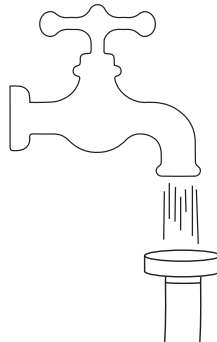
■ HIGH-PRESSURE HOSE

The high-pressure hose is specially constructed with reinforced walls it can be easily damaged and should be stored carefully.

- Do not kink.
- Do not drive vehicles over the hose.
- Do not expose the hose to sharp edges or corners.

CLEAN THE SIEVE IN THE WATER CONNECTION

Remove the coupling from the water connection, and rinse with warm water to prevent any foreign matter from clogging the pump.



Clean the nozzle with the needle clean out tool provided. Remove the spray wand from the gun. Remove any dirt from the nozzle hole and rinse.

⚠ ATTENTION!

- The sieve must not be damaged.

- Pull the sieve out using flat pliers.
- Clean the sieve under running water.
- Reinsert the sieve into the water connection.



www.ronixtools.com