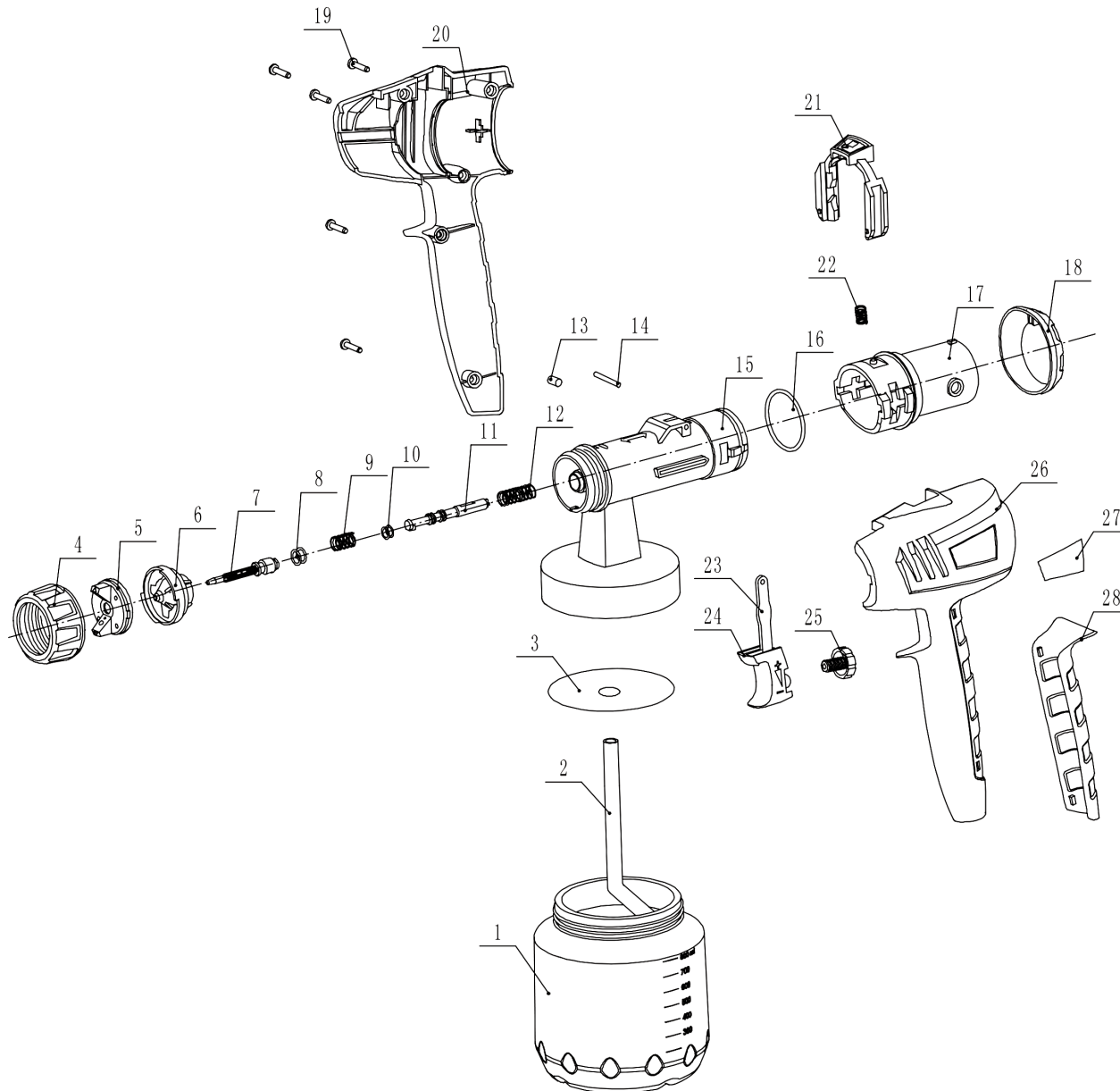


Number	Name
1	Left housing
2	Filter
3	Filter Cover
4	Switch
5	Capacitance
6	Motor
7	Packing Ring
8	Screw ST3x14
9	Wivefixed Board
10	Ply-yarn Drill
11	Motor Seat
12	Square Packing Ring
13	Pipe Connection
14	Paint Reservoir Holder
15	Long Tube Connector
16	Bellows
17	Short tube Connector
18	Nameplate
19	Screw ST3.5x15
20	Right Housing
21	Cord Sleeve
22	Power Cable With Plug



Number	Name
1	Container
2	Suck Pipe
3	O Ring
4	Nozzle Screw
5	Nozzle
6	Fixed Nozzle
7	Needle
8	O Ring
9	Spring
10	O Ring
11	Needle Ring
12	Spring
13	Block Head
14	Insert Pin
15	Stand
16	O Ring
17	Connector
18	Rear Cover
19	Screw ST3.5x15
20	Housing
21	Quick Release Button
22	Spring
23	Trigger Insert
24	Trigger
25	Flow Adjustment Knob
26	Housing
27	Label Position
28	Housing Insert